

# PRODUCT SPECIFICATION 产品规格书

## ENC2165W-3

Intelligent All-in-one Machine

智能一体机



### (Rough-in Dimensions):

安装尺寸图:

(Unit): mm

单位: 毫米

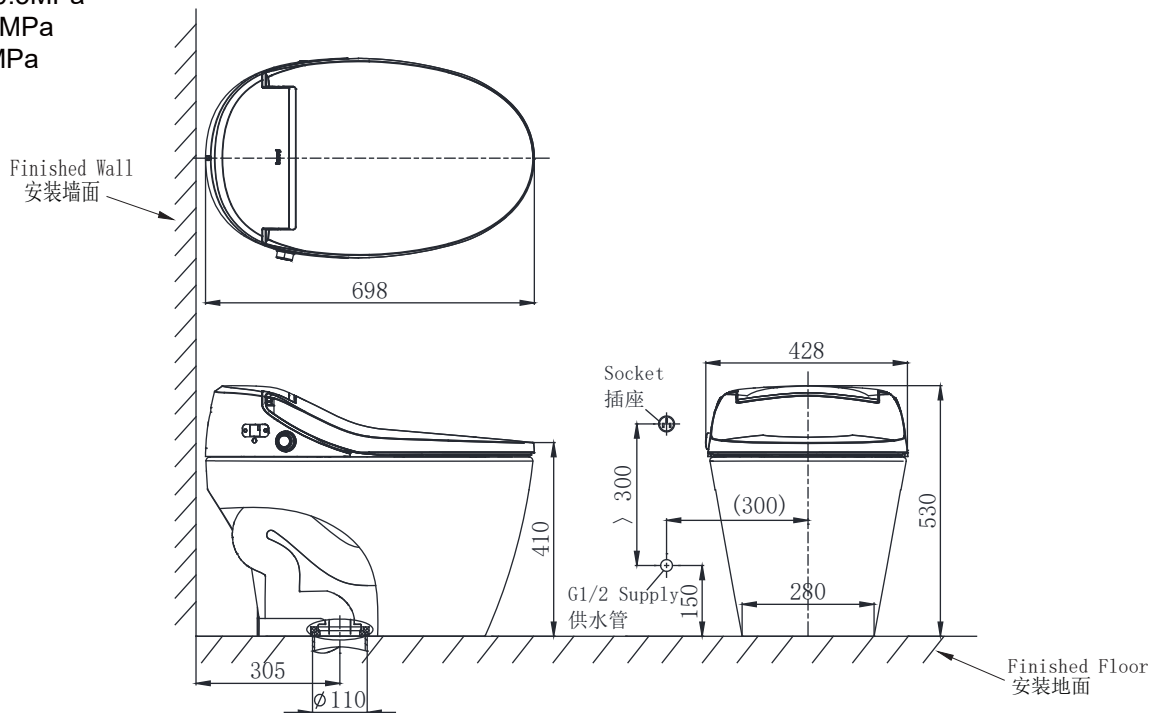
698X428X530(mm)

Pressure range: 0.1-0.5MPa

水压范围: 0.1-0.5MPa

Best to use: 0.3MPa

最优水压: 0.3MPa



Item No. 品号	ENC2165W-3
Available Color 颜色	White 白色
Materials 材质	Vitreous China 陶瓷
Flush System 冲水系统	Siphon 虹吸
Flush Amount 冲水量	Flush: 5L 冲水: 5L
Seat & Cover 盖板	Soft Closing 缓降盖板
Shipping Package 运输包装	长(L) 800X宽(W) 550X高(H) 610mm, 毛重(G.W): 43.5kg
<p>备注: 坑距: 305mm, 电压: 220V/50Hz。功能介绍: 经期护理, 选位清洗, 柔光照明, 座温, 冷热SPA, 按摩, 儿童清洗, 往复清洗, 节能环保, 水温调节, 烘干, 除臭, 臀洗, 妇洗, 智能冲水等。</p> <p>Remarks: Rough-In: 305mm, Voltage: 220V / 50Hz. Function intro: Period care/Position/Soft lighting/Seat temperature/SPA/ Massage/Child Mode/Reciprocating cleaning/Energy-Saving/Water temperature/Warm air/Deodorization/General/ Bidet/Intelligent flush.</p>	

INNOCI reserves the right to make changes or modifications on any of its products without advance notice.

INNOCI 艺耐公司保留不事先通知便改变或修改的权利

**innoci**

Innoci Sanitary ware Co., Ltd  
www.innoci.com

Version:A0  
版本:A0