

Pristine

E-Bidet (long size)

CEAS7SL1/ CEAS7SL2/

CEAS7SL3



FEATURES

- Hot water storage type (water tank 0.7L)
- Self-cleaning dual nozzle with exchangeable nozzle tip
- Nozzle shutter
- Anti-bacteria on seat; Anti-bacterial material on cover, nozzle and side control panel
- Warm air dryer (only 7SL1 & 7SL2)
- Auto deodorization (only 7SL1)
- One-touch auto cleansing, oscillation & massage

SPECIFICATIONS

- Rated Voltage: AC220V 50Hz
- Rated Power: 300 W
- Operating Temperature Range: 0°C - 40°C
- Water Pressure Range: 0.06MPa (flow pressure) - 0.75MPa (static)
- Shower Water Consumption: 0.25 ~ 0.6L/min (3/5-mode adjustment) when water pressure is 0.2Mpa
- Bidet Water Consumption: 0.45 ~ 0.6L/min (3/5-mode adjustment) when water pressure is 0.2Mpa
- Hot Water Temperature Range: About 32°C ~ 40°C (6-mode adjustment)
- Hot Water Heater Power: 250W
- Dryer Temperature: about 30°C ~ 50°C (4-mode adjustment)

COLOR AVAILABILITY

- White only

OPTIONS

- Full function, CEAS7SL1
- Without deodorization, CEAS7SL2
- Without deodorization & dryer, CEAS7SL3

INCLUDED COMPONENTS

- Water supply hose
- T-valve
- Installation plate

SHIPPING WEIGHT

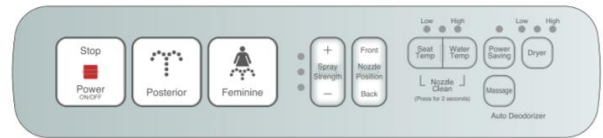
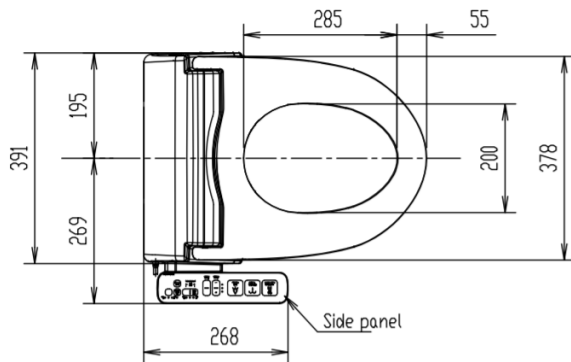
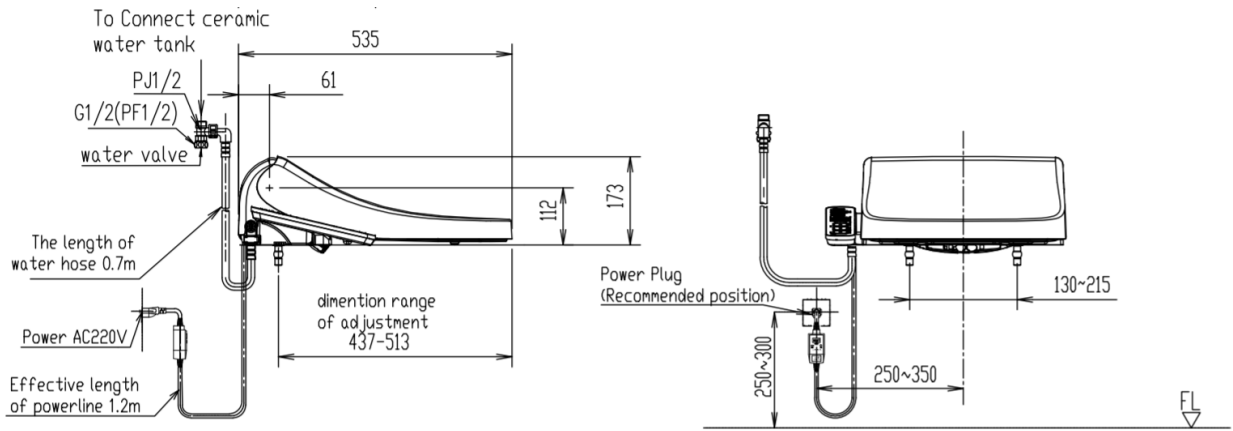
- Net Weight: 5 KG
- Gross Weight: 5.6 KG

STANDARDS CRITERIA

- China GB/T 23131-2008 & GB4706.53-2008

American Standard

DIMENSIONAL DRAWING



Enlarged view of Side panel

This document is the property of American Standard. It can neither be reproduced, nor communicated, without authorization.

American Standard reserves the right to change dimensions and specifications without notice; we assume no liability for the use of obsolete dimensions.